

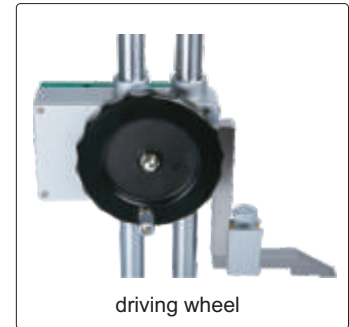
DIGITAL HEIGHT GAUGE



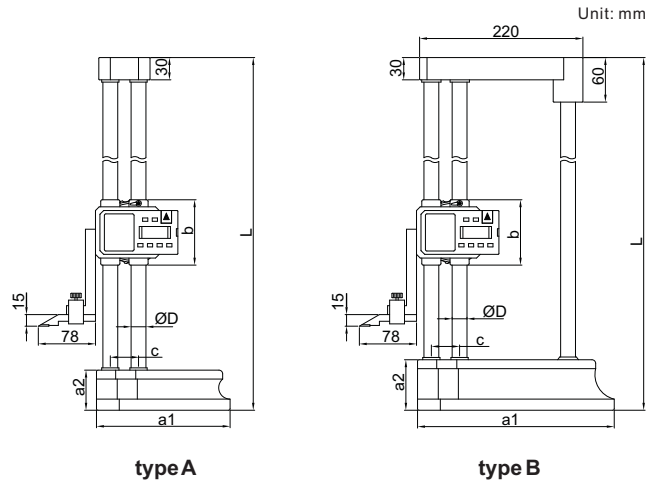
1151-1000



1151-300



- Resolution: 0.01mm/0.001"
- Buttons: on/off, zero, mm/inch, ABS/INC, preset +, preset -, set
- ABS/INC is for absolute and incremental measurement
- Carbide tipped scribe
- Made of stainless steel (except the base)
- SR44 or LR44 battery
- Data output
- With driving wheel
- Optional accessory: SPC cable (page A1-A2)



(mm)

Code	Range	Type	Accuracy	L	a1	a2	b	c	ØD
1151-300	0-300mm/0-12"	A	±0.04mm	475	135	43	84	33	15
1151-450	0-450mm/0-18"	A	±0.05mm	660	180	54	88	38	20
1151-600	0-600mm/0-24"	A	±0.05mm	810	180	54	88	38	20
1151-1000	0-1000mm/0-40"	B	±0.07mm	1230	265	68	88	38	20