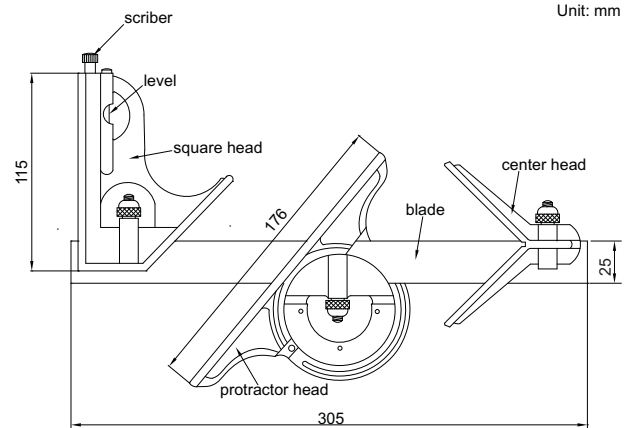
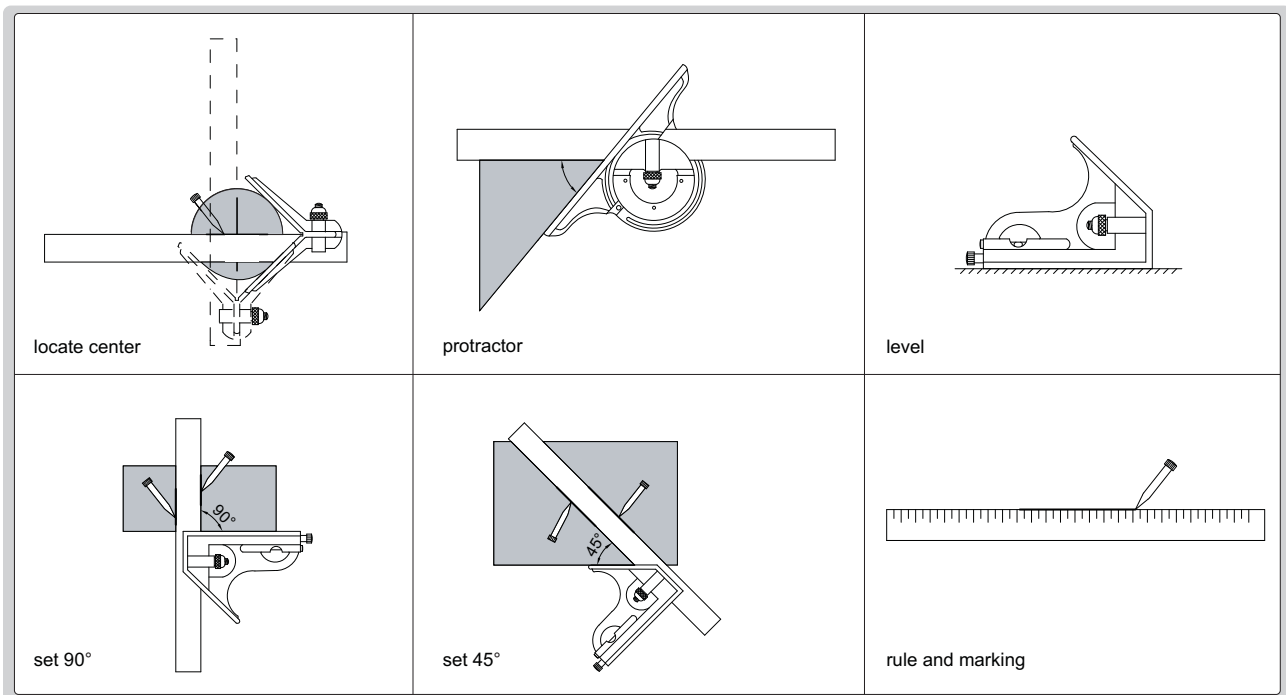


COMBINATION SQUARE SET



2278-180



Code

2278-180

- Center head:
 - To locate center of round workpieces
 - Accuracy: $\pm 0.15\text{mm}$
- Protractor head:
 - To set the blade at desired angle to an edge of a workpiece, and can be used to measure angles
 - Range: 0-180°
 - Accuracy: $\pm 7\text{min}$.
- Square head:
 - To set the blade at 90° or 45° to an edge of a workpiece
 - Accuracy: $\pm 8\text{min}$ for 90° square, $\pm 10\text{min}$ for 45° square
- Blade:
 - Range: 300mm/12",
 - Graduation: 0.5mm and 1/32" on front face, 1mm and 1/64" on back face
- Optional accessory: rigid rule (code 7113)