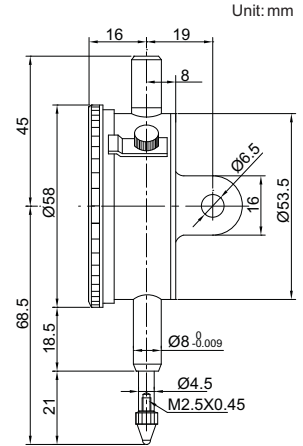


DIAL INDICATOR



2308-10A

- Jeweled bearing
- Supplied with limit hands and bezel clamp
- Optional accessory: backs (page F15), contact points (page F11-F14)



Code	Range	Graduation	Accuracy(f_{ges})	Hysteresis(f_u)	Range/rev	Dial reading	Remark
2308-3A	3mm	0.01mm	14 μ m	3 μ m	1mm	0-100	lug back
2308-5A	5mm	0.01mm	16 μ m	3 μ m	1mm	0-100	lug back
2308-10A	10mm	0.01mm	17 μ m	3 μ m	1mm	0-100	lug back
2308-3FA	3mm	0.01mm	14 μ m	3 μ m	1mm	0-100	flat back
2308-5FA	5mm	0.01mm	16 μ m	3 μ m	1mm	0-100	flat back
2308-10FA	10mm	0.01mm	17 μ m	3 μ m	1mm	0-100	flat back