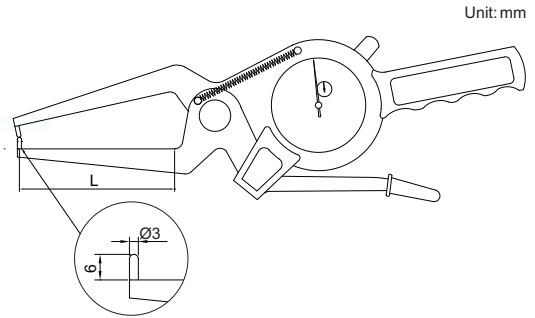


EXTERNAL DIAL CALIPER GAUGE



2332-20



Code	Range	Graduation	Accuracy	L(mm)
2332-20	0-20mm	0.01mm	± 0.04 mm	60
2332-40	20-40mm	0.01mm	± 0.04 mm	60
2332-60	40-60mm	0.01mm	± 0.04 mm	55
2332-80	60-80mm	0.01mm	± 0.04 mm	55
2332-100	80-100mm	0.01mm	± 0.04 mm	55

