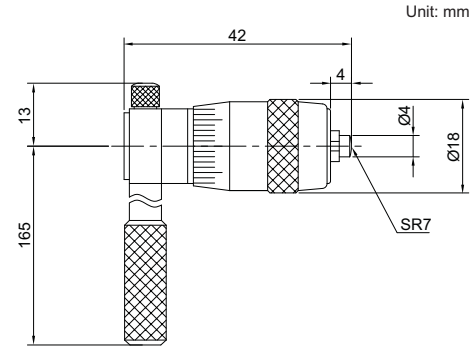


TUBULAR INSIDE MICROMETER



3221-200

Code	Range	Travel of micrometer head	Extension rods
3221-32	25-32mm	7mm	—
3221-50	25-50mm	7mm	2pcs
3221-63	50-63mm	13mm	—
3221-200	50-200mm	13mm	6pcs
3221-300	50-300mm	13mm	10pcs
3221-225	200-225mm	25mm	—
3221-500	200-500mm	25mm	3pcs
3221-1000	200-1000mm	25mm	8pcs



- Graduation 0.01mm
- Accuracy: $(6+L/50)\mu\text{m}$
L=maximum measuring length(mm)
- Optional accessory: setting ring(code 6312)