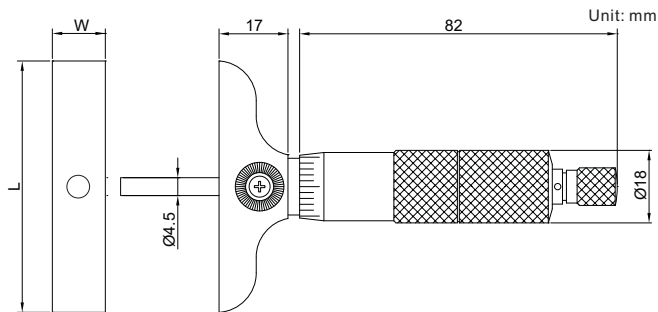


# DEPTH MICROMETER



3241-100

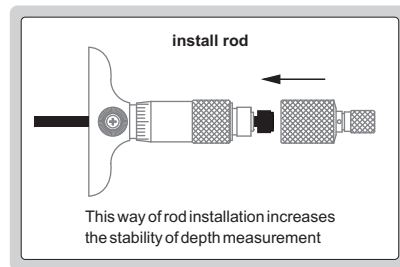


Base: LxW=101.5x17mm

Code	Range	Rods
3241-25	0-25mm	1pc
3241-50	0-50mm	2pcs
3241-75	0-75mm	3pcs
3241-100	0-100mm	4pcs
3241-150	0-150mm	6pcs
3241-200	0-200mm	8pcs
3241-300	0-300mm	12pcs

Base: LxW=63x17mm

Code	Range	Rods
3241-B25	0-25mm	1pc
3241-B50	0-50mm	2pcs
3241-B75	0-75mm	3pcs
3241-B100	0-100mm	4pcs
3241-B150	0-150mm	6pcs
3241-B200	0-200mm	8pcs
3241-B300	0-300mm	12pcs



- Graduation: 0.01mm
- Micrometer head accuracy:  $\pm 3\mu\text{m}$
- Rod accuracy:  $\pm (2+L/75)\mu\text{m}$ ,  
L is the measuring range in mm
- Rods with flat end
- Ratchet stop